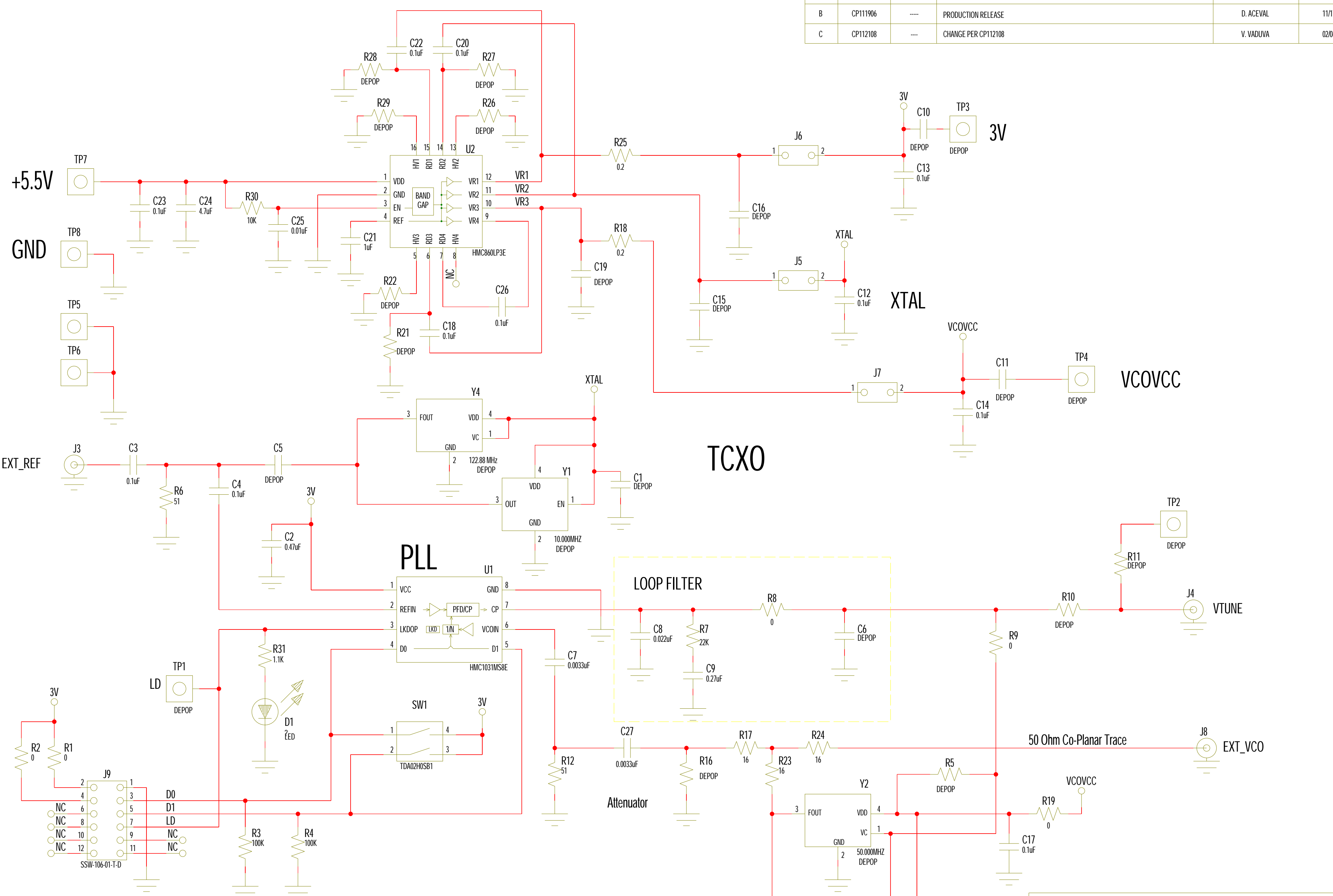


REVISIONS					
REV	ECN#	ZONE	DESCRIPTION	NAME	DATE
B	CP111906	----	PRODUCTION RELEASE	D. ACEVAL	11/17/2011
C	CP112108	----	CHANGE PER CP112108	V. VADUVA	02/06/2012



**DIVIDER CONTROL**

	D1	D0
POWER DOWN	0	0
DIVIDE BY 1	0	1
DIVIDE BY 5	1	0
DIVIDE BY 10	1	1

**HITTITE MICROWAVE CORPORATION**  
 20 Alpha Rd Chelmsford, MA 01824

**TITLE**  
 SCH, CUSTOMER EVALUATION

**PROJECT** HMC1031MS8E  
**DRAWING #:** 130-00139-00  
**DRAWN BY** V.VADUVA **DATE** 02/19/2011

SHEET	1	OF	1
CODE ID NO.	1CN88	SIZE	C
REV	C		C

14-03-2012\_13:27

NOTICE OF PROPRIETARY PROPERTY: THIS DOCUMENT AND THE INFORMATION CONTAINED HEREIN ARE THE PROPRIETARY PROPERTY OF HITTITE MICROWAVE CORPORATION. IT MAY NOT BE COPIED OR USED IN ANY MANNER NOR MAY ANY OF THE INFORMATION OR UPON IT BE USED FOR ANY PURPOSE WITHOUT THE EXPRESSED WRITTEN CONSENT OF AN AUTHORIZED AGENT OF HITTITE MICROWAVE CORPORATION.